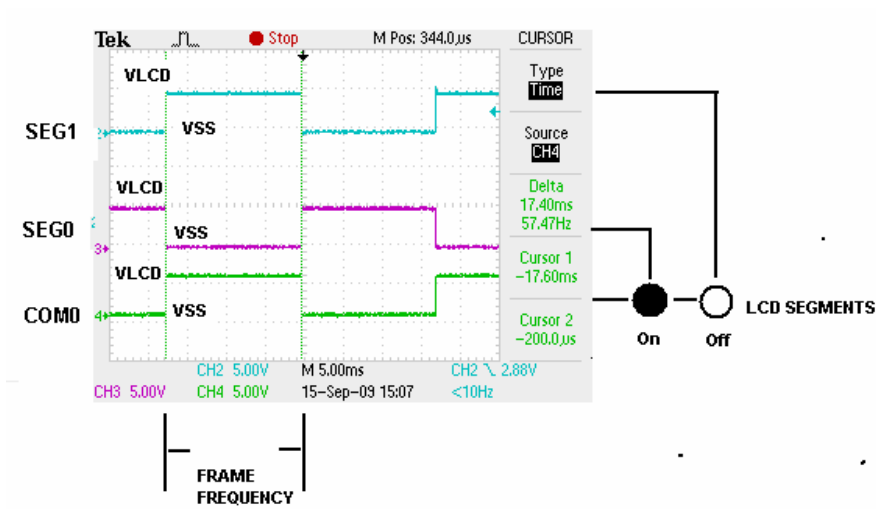


Tips for Using Static Drive Mode of RW1026

1. In static drive mode, RW1026 support up to 48 segment outputs
2. Four common outputs carry same signal in static drive mode. These four common outputs could be connected in parallel to provide high drive capability.
3. The common and segment waveforms for static drive mode are shown in below.



4. In static drive mode, frame frequency = $(\text{OSC Freq} / 4) / 1024$.
5. $\text{VLCD}(\text{max}) = 5.2\text{V}$
6. To select static drive mode, user must set bias register = 1/2 bias, duty register = 1/4, static display register = on.

7. In static drive mode, user must fill up 4bit-RAM word with logic 1 to indicate on-state of segment output. Similarly, fill up 4bit-RAM word with logic 0 means off-state of segment output. Relationship between LCD segment and display ram filling order for static drive mode is shown in below

